



Suitable for all gaseous and liquid media that will not obstruct the pressure system or attack copper alloy parts. Especially designed for refrigeration systems and ammonia.

Manufactured according to **EN 837-1** standards.

STANDARD PARAMETERS

Design: **EN 837-1**

Closing: Bayonet

Mounting: See attached diagrams **A** or **C**

Threaded connection: ½" BSP (UNE-EN 10226-1)

IP protection: IP65 (EN 60529 / IEC 529)

Accuracy: Class 1.0

Pressure limits:

Static: ¼ end of scale

Oscillating: ⅓ end of scale

Maximum: Full scale for a short period of time

Temperature limits:

Environment: -40+65°C

Fluid: 60°C

Range: **-1+9, -1+12, -1+15** o **-1+25** Bar

Scale: Bar/ °C for refrigerant R717 (NH₃)

Subdivision: According to standard **EN 837-1**

Pointer: Micrometric adjustment

Sensor element: Bourdon tube (<60 Bar: "C" form; >60 Bar: helical)

Pressure relief system: Blow-out disc

Overtemperature relief system: Upper plug

MATERIALS

Case: AISI 304 Stainless steel

Bourdon tube and moving parts: AISI 316 Stainless steel

Threaded connection: AISI 316 Stainless steel

Display: Safety glass

Dial: White laquered aluminum

Pointer: Black laquered aluminum

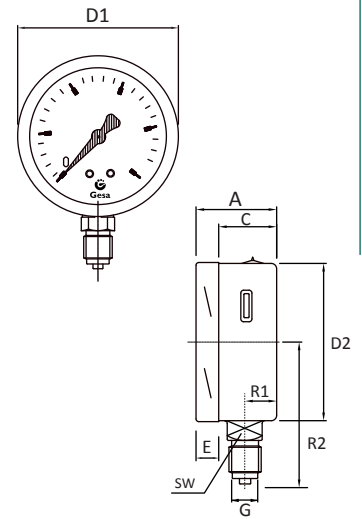
Welding: TIG welding

Blow-out disc and overtemperature relief plug: Neoprene

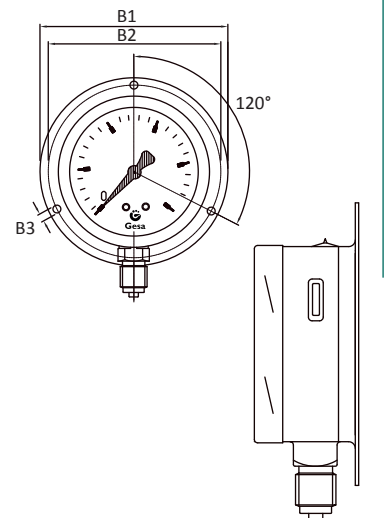
Application:

- Refrigeration
- Air conditioning
- Food industry

A Bottom



C Bottom with back flange



DIMENSIONS (mm)

WEIGHT (g)

DN	Mounting	R1	A	C	D1	E	D2	G	R2	SW	P	B1	B2	B3	
Ø100	A	16	49	32	101	17	99	½" BSP	83	22	-	-	-	-	545
Ø100	C	16	49	32	101	17	99	½" BSP	83	22	86	132	124	5	566

How to order

1. Case diameter

Ø100

2. Pressure range (Bar)

-1+9
-1+12
-1+15
-1+25

3. Pressure scale

Bar/ °C R717 NH₃

4. Mounting

A **C**

5. Threaded connection

½" BSP

6. Connection material

AISI 316 Stainless steel

7. Calibration certificate traceable to ENAC

7 point certificate
Without certificate

M0702 -

1	2	3	4	5	6	7

www.termometros.com



Order it online!

+34 94 676 63 64

info@termometros.com

